

**SINGER**  
6267/6268

# LIST OF PARTS

## *Sewing Machine Series*

6267

6268

by **SINGER\***

From the library of: Diamond Needle Corp



A Publication of Product Support  
International Group Engineering

Part No. 119701-001

Printed in Italy

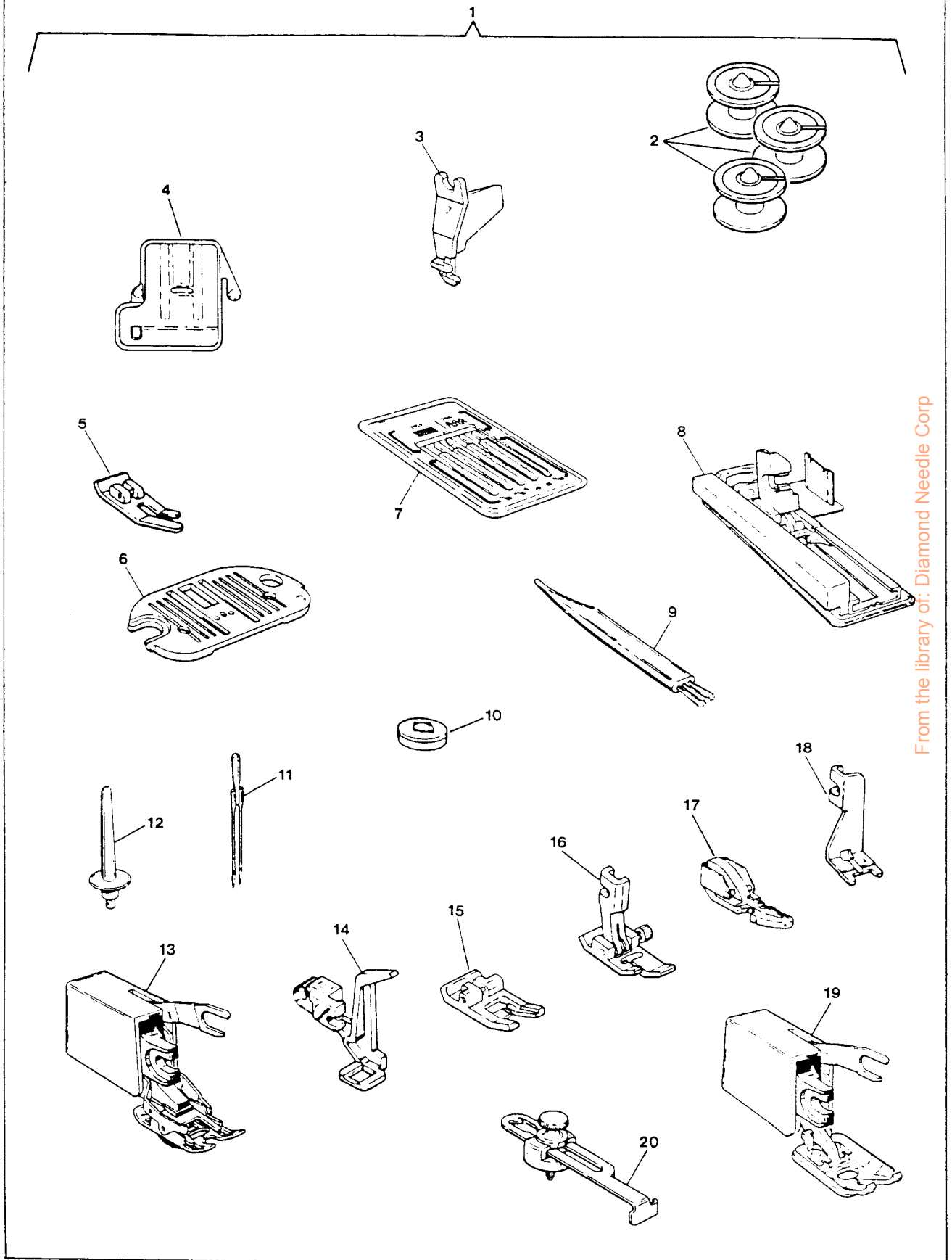
(04/87 - Rev.1)

## INDEX

PAGE No.	SUBASSEMBLY
2, 3	ATTACHMENT SET
4, 5	ADDITIONAL ACCESSORIES
6, 7	COVERS AND ADD-ONS
8, 9	ARM TOP COVER
10, 11	HEAD END MODULE AND THREAD TAKE-UP
12, 13	ARM SHAFT DRIVE SYSTEM/HAND WHEEL
14, 15	DEMAND RESPONSIVE NEEDLE TENSION SYSTEM
16, 19	ALPHA FEED
20, 21	HOOK AND BOBBIN WINDING SYSTEM (CENTAUR)
22, 23	CLOTH PLATE
24, 25	SENSOR ASSEMBLY (ARM SHAFT)/CONTROL PANEL ASSEMBLY
26, 27	LOW BOBBIN DETECTOR BOARD/EMITTER ASSEMBLY
28, 29	BIGHT AND FEED DRIVE LINEAR MOTORS/TRANSFORMER
30, 31	MODULE ALPHABETIC AND MONOGRAM/EMBROIDERY ATTACHMENT
32, 33	SPEED CONTROL/MOTOR CONTROL P.C. BOARD ASSEMBLY
34, 37	ELECTRICAL EQUIPMENT
38, 39	NEW COVERS AND LIGHT ASSEMBLY IN PRODUCTION FROM SEPTEMBER 1987

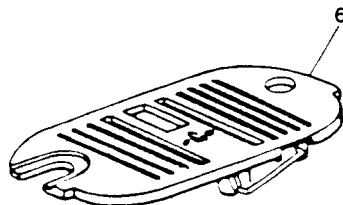
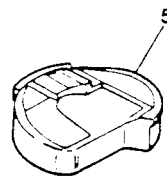
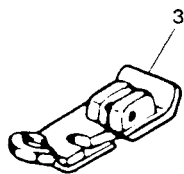
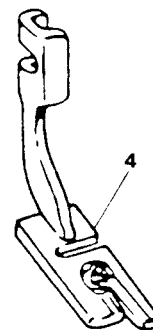
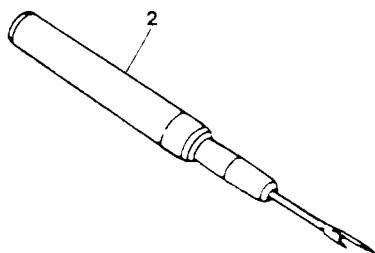
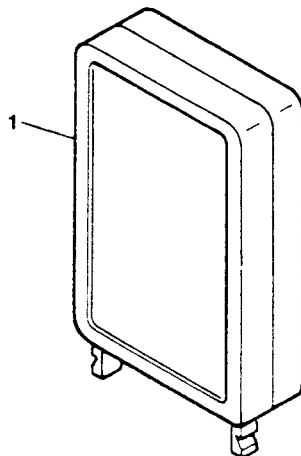


# ATTACHMENT SET



From the library of: Diamond Needle Corp

# ADDITIONAL ACCESSORIES

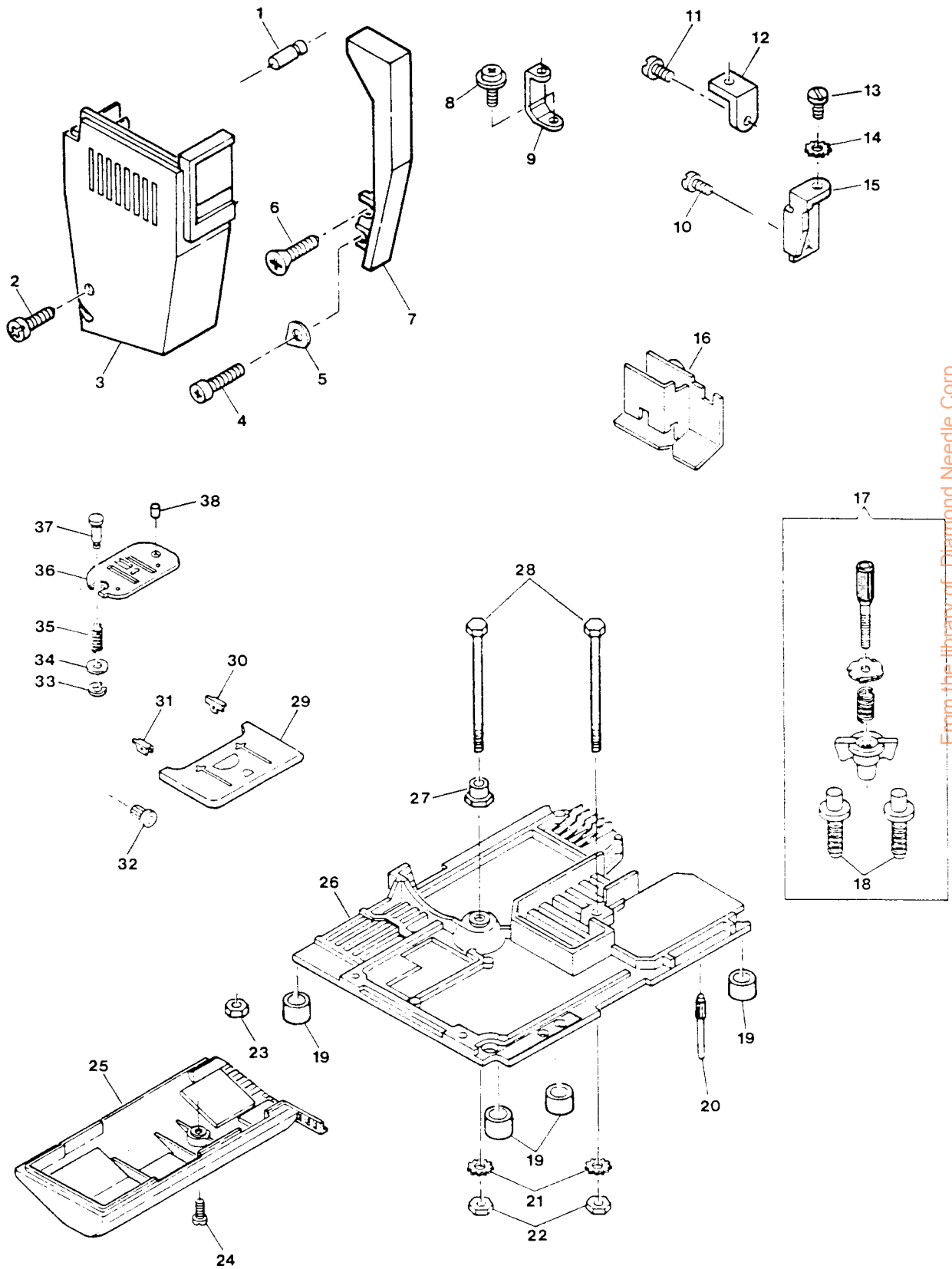






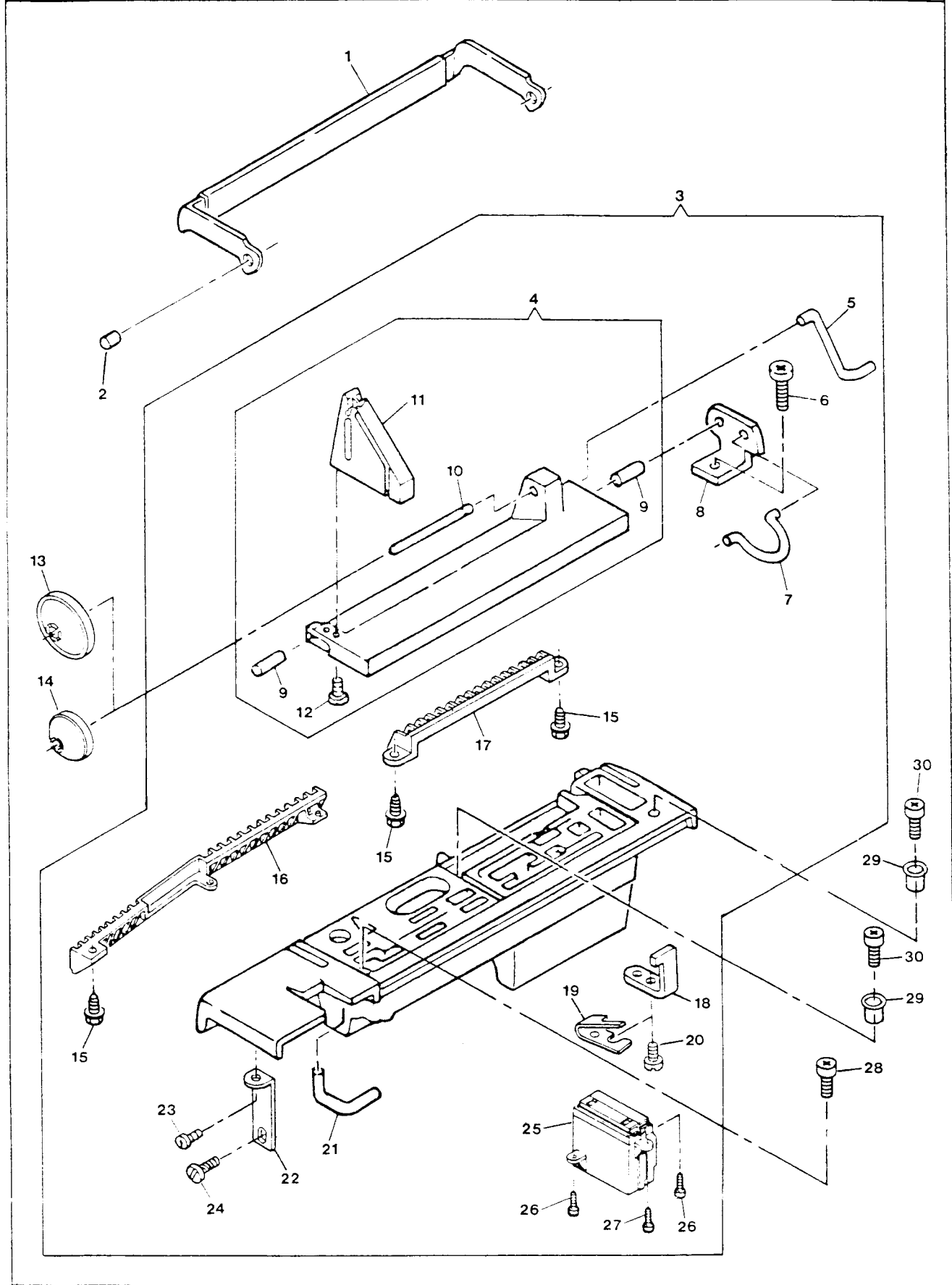


# COVERS AND ADD-ONS



From the library of: Diamond Needle Corp

# ARM TOP COVER

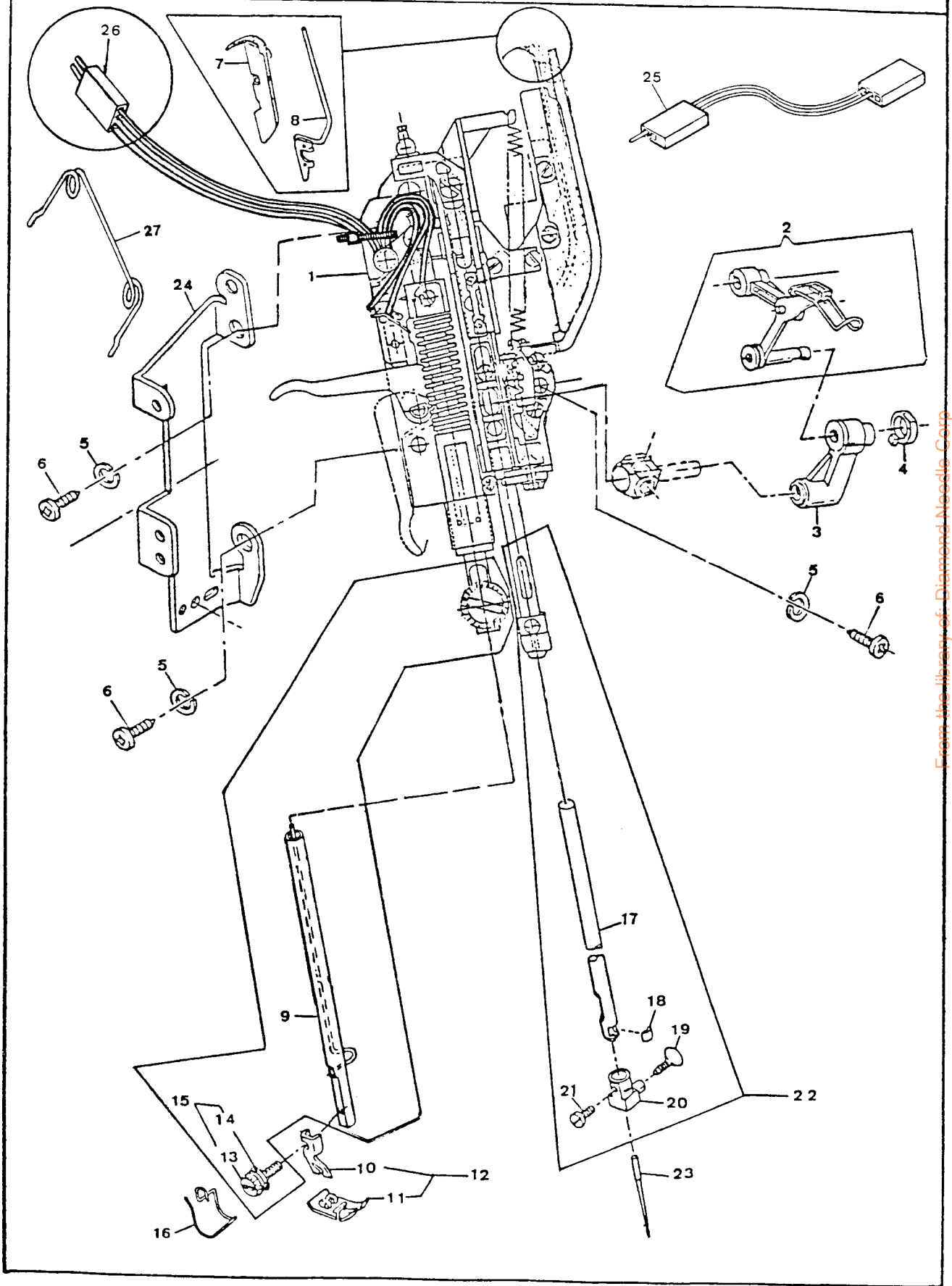


From the library of: Diamond Needle Corp





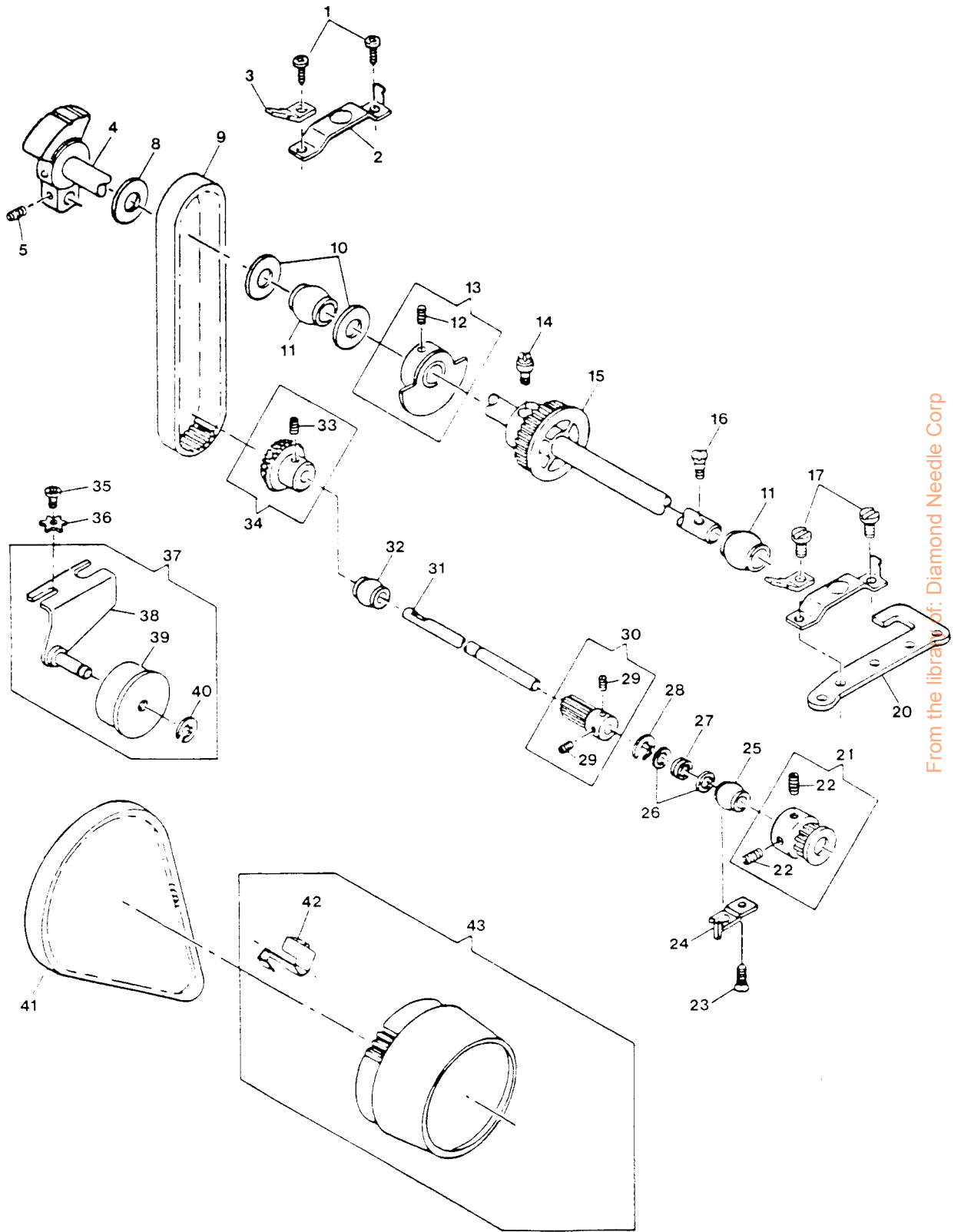
# HEAD END MODULE AND THREAD TAKE-UP



From the library of Diamond Needle Corp



# ARM SHAFT DRIVE SYSTEM/HAND WHEEL



From the library of: Diamond Needle Corp



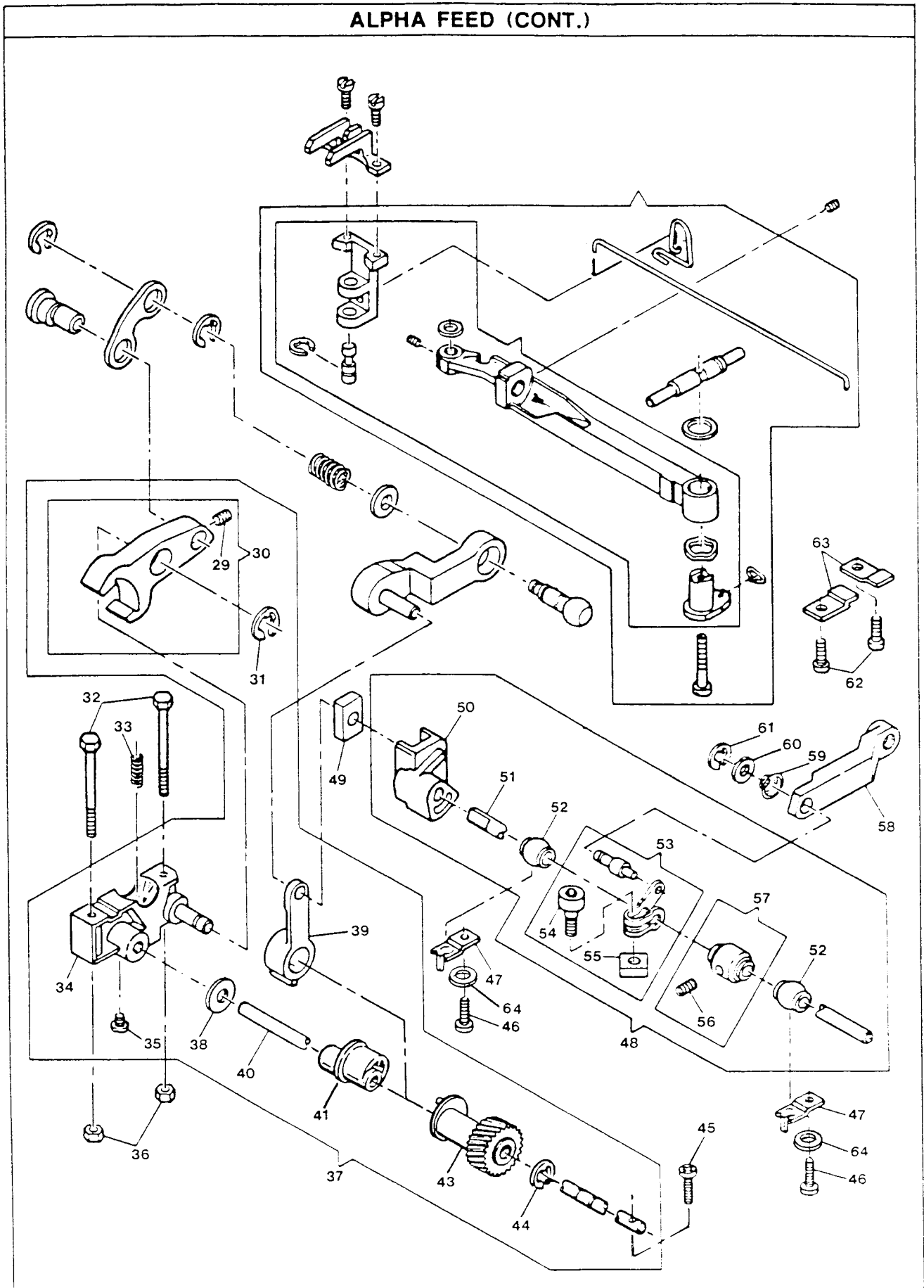








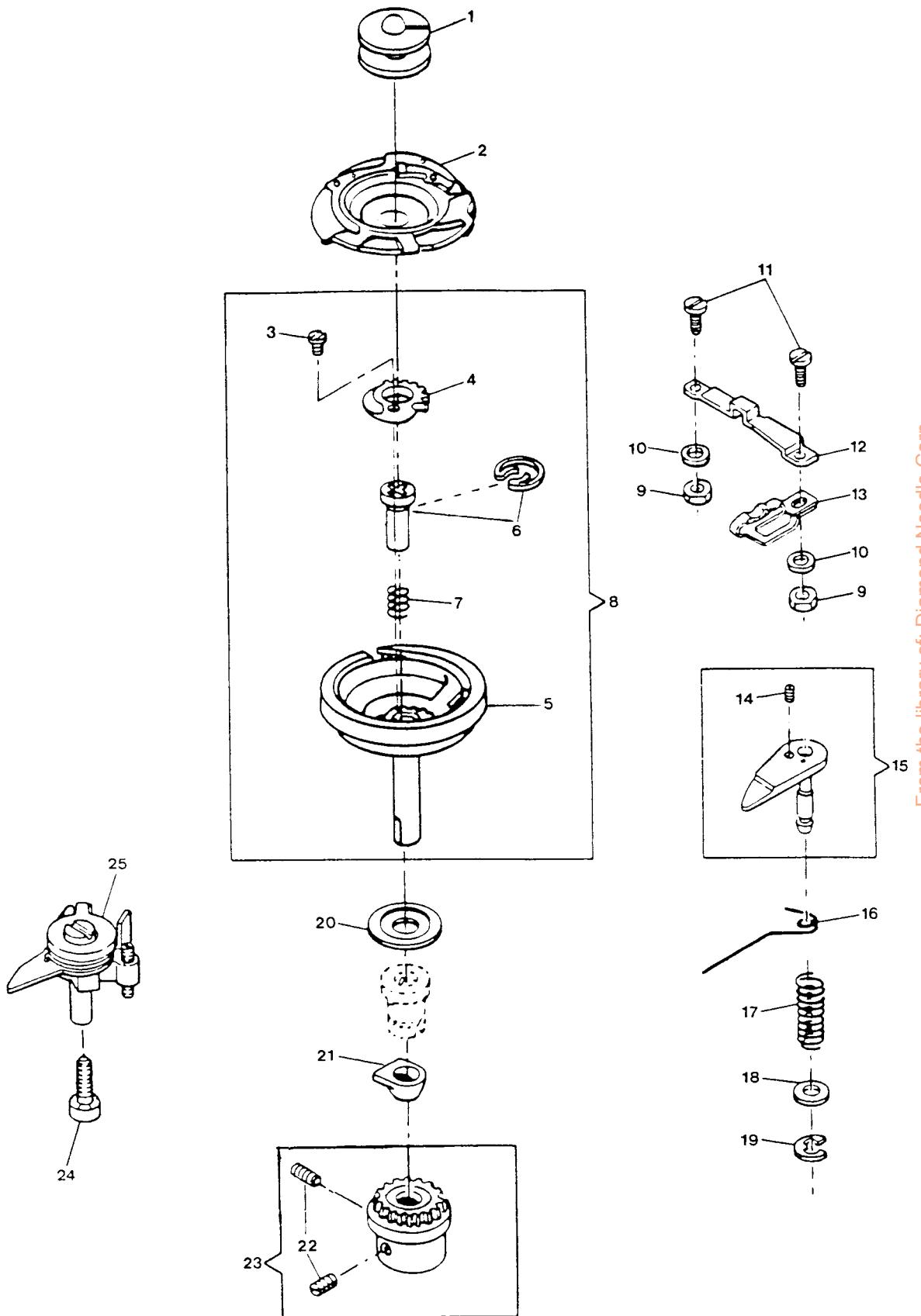
# ALPHA FEED (CONT.)





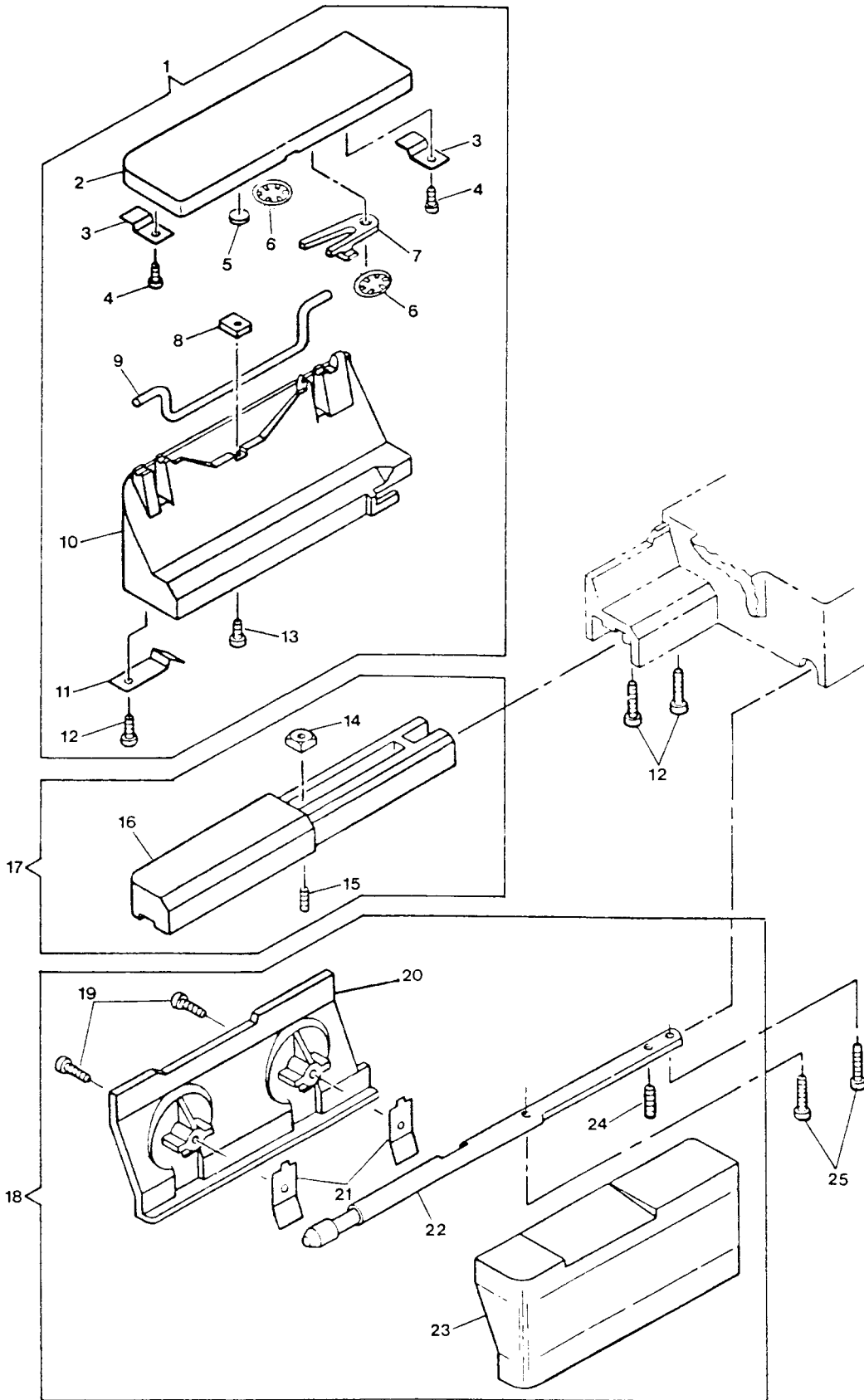


# HOOK AND BOBBIN WINDING SYSTEM (CENTAUR)



From the library of: Diamond Needle Corp

# CLOTH PLATE

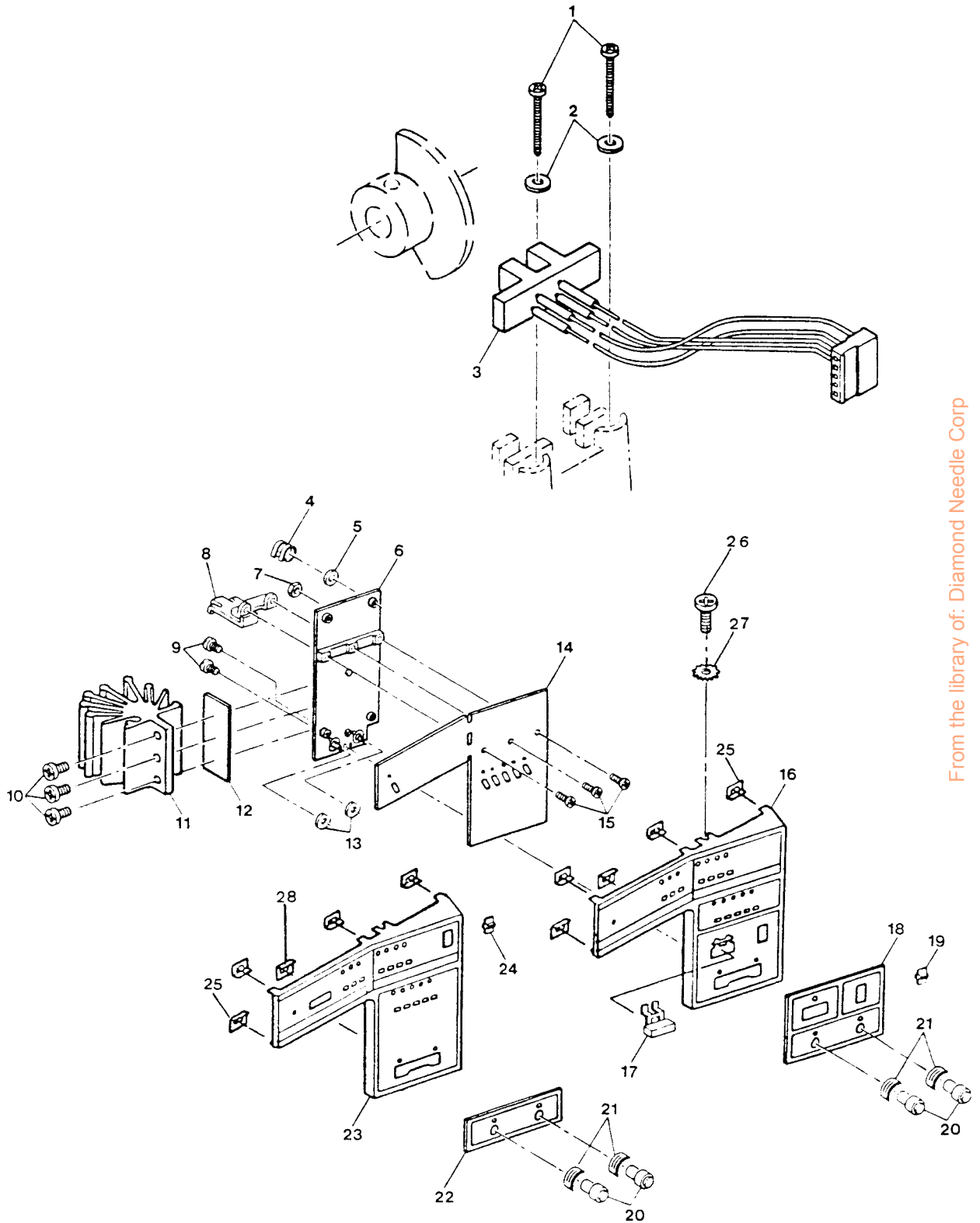






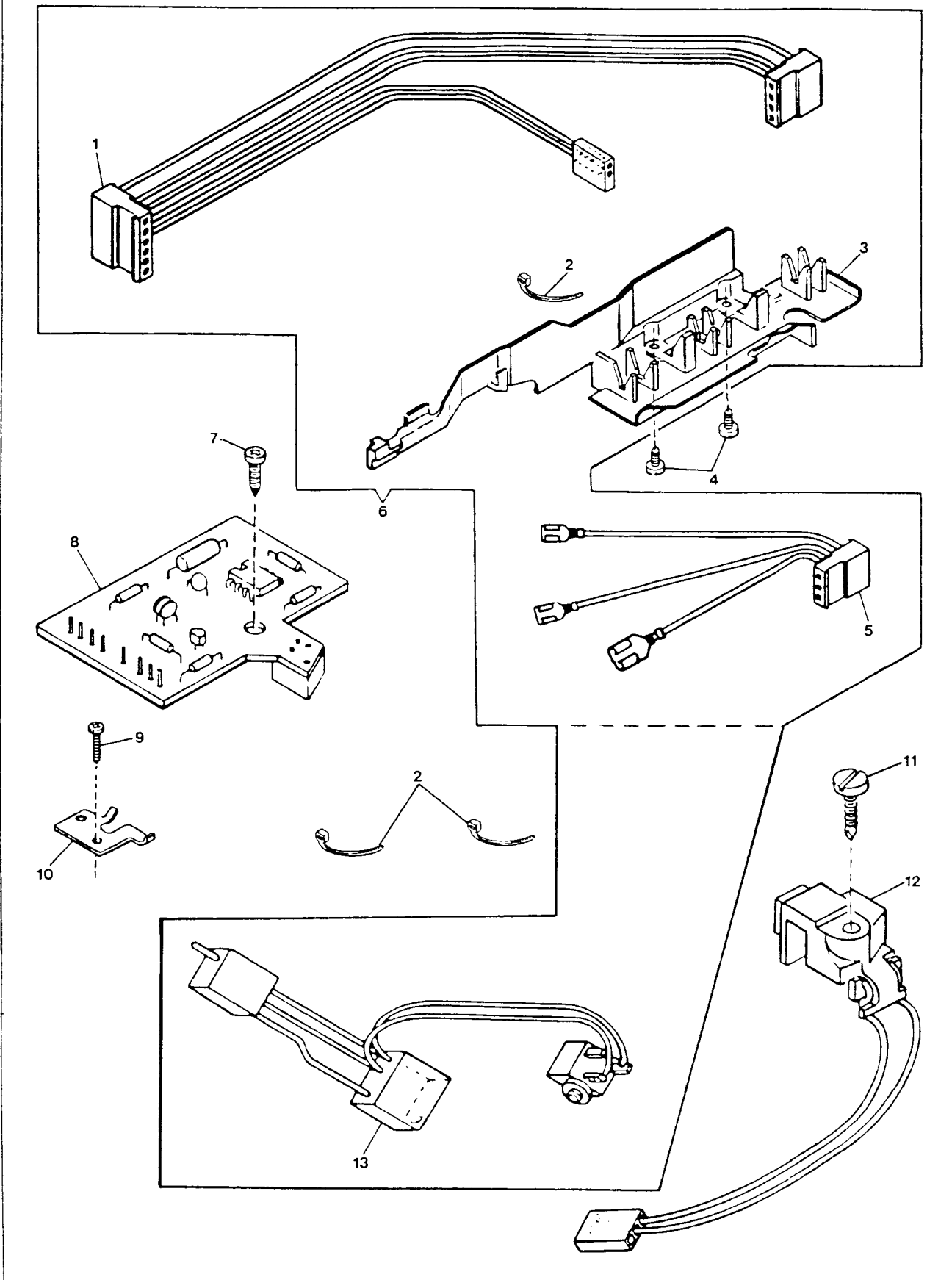


# SENSOR ASSEMBLY (ARM SHAFT)/CONTROL PANEL ASSEMBLY



From the library of: Diamond Needle Corp

# LOW BOBBIN DETECTOR BOARD/EMITTER ASSEMBLY

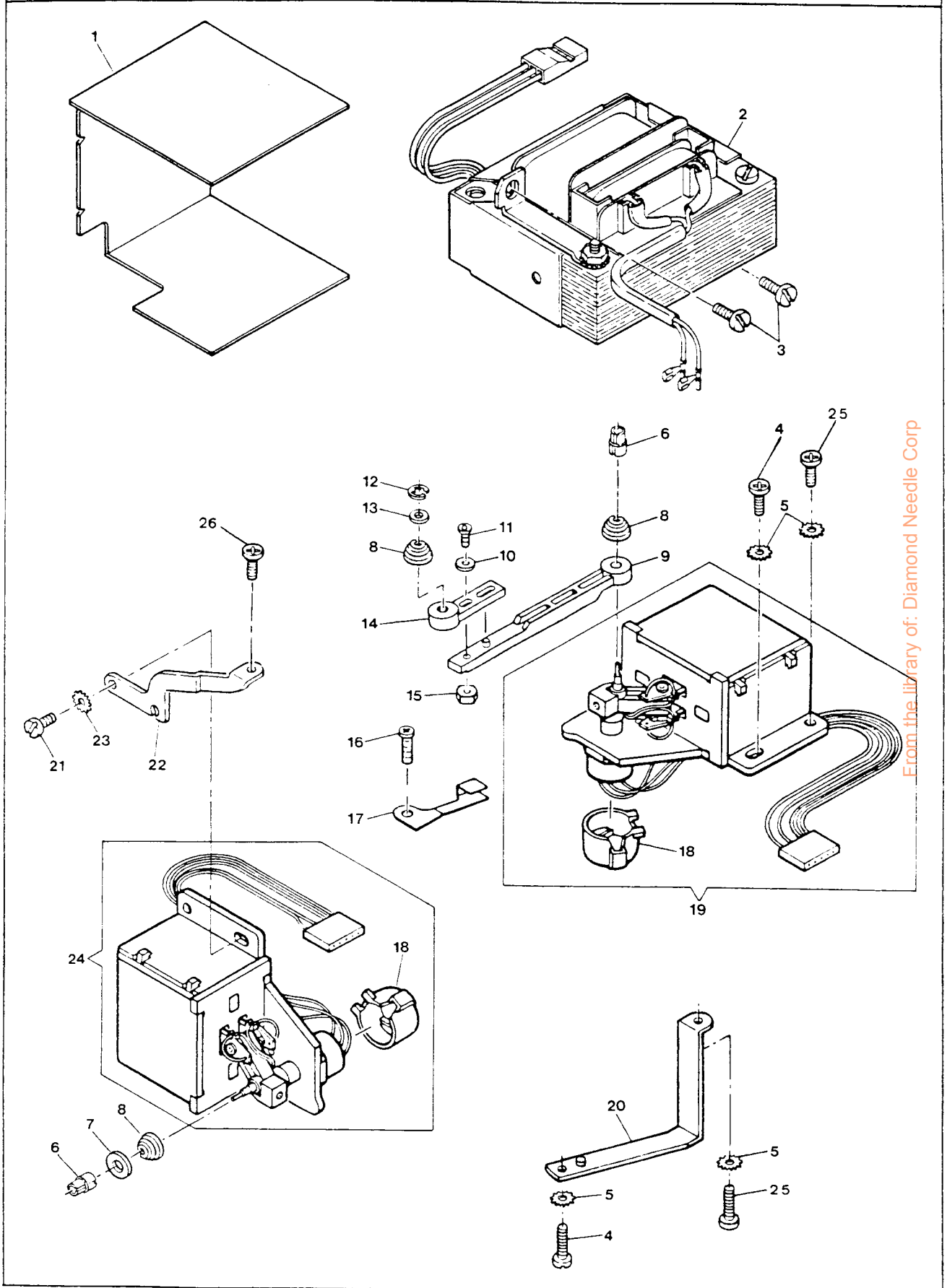


From the library of: Diamond Needle Corp





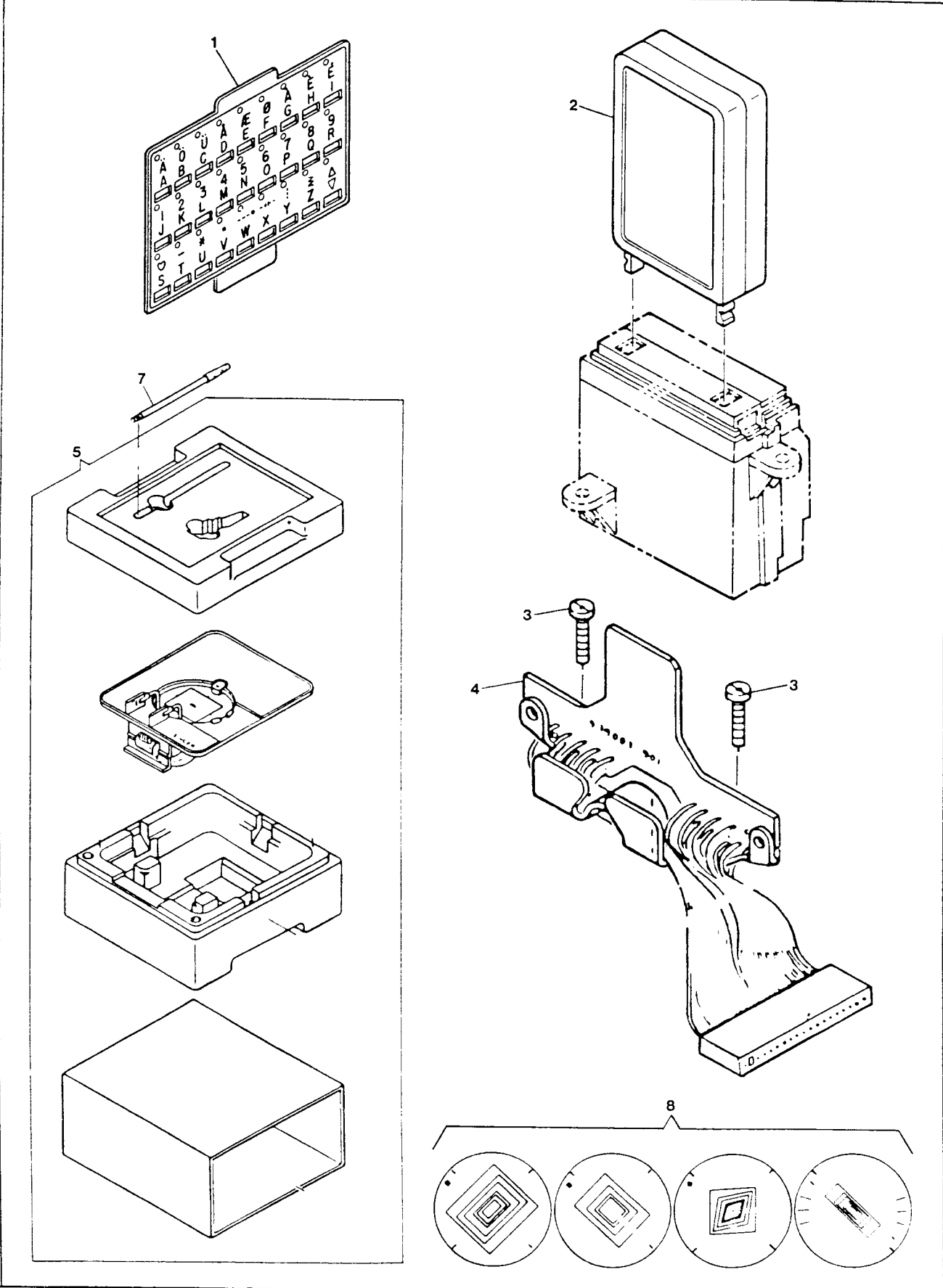
# BIGHT AND FEED DRIVE LINEAR MOTORS/TRANSFORMER



From the library of: Diamond Needle Corp



# MODULE ALPHABETIC AND MONOGRAM/EMBROIDERY ATTACHMENT



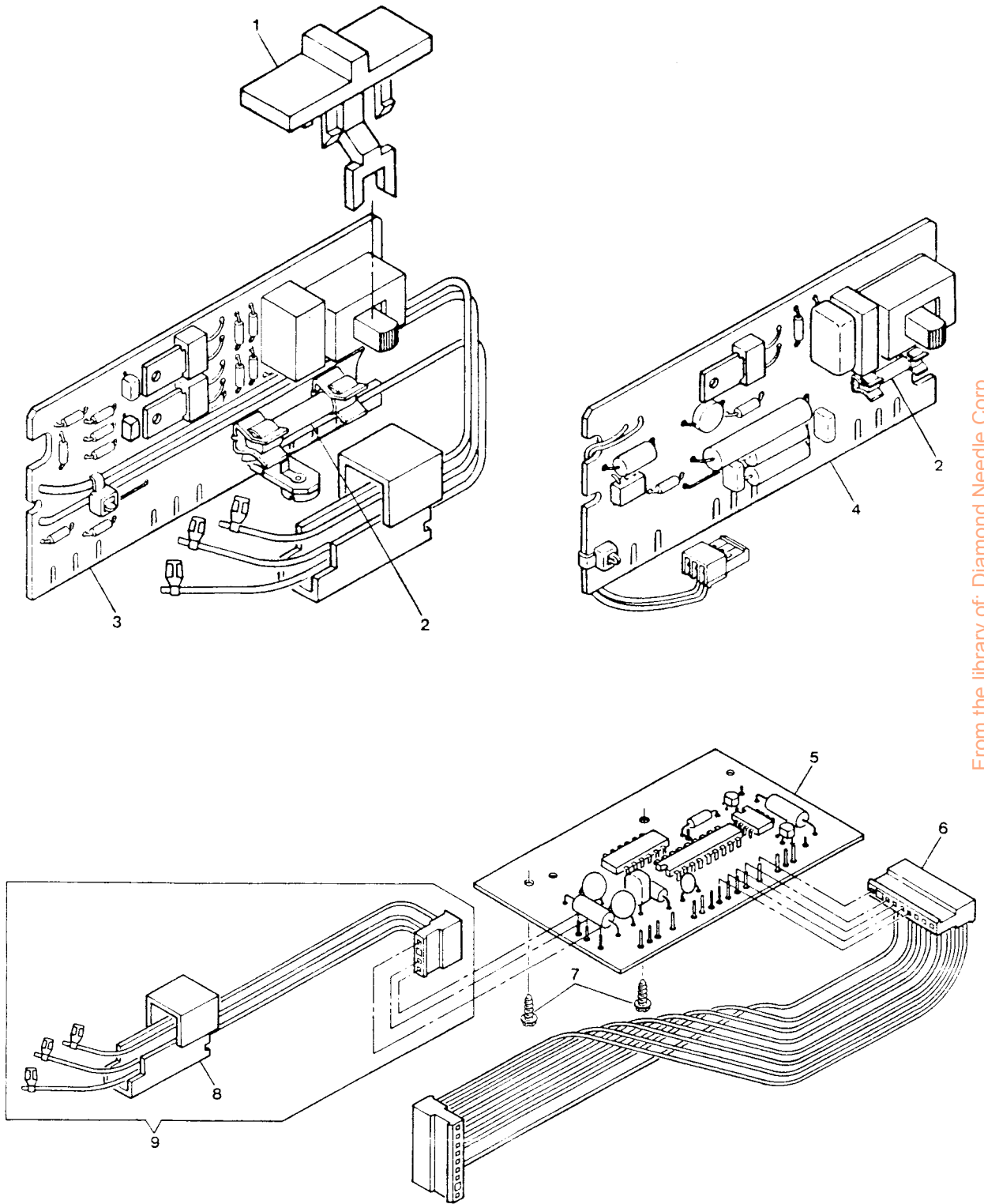
From the library of: Diamond Needle Corp





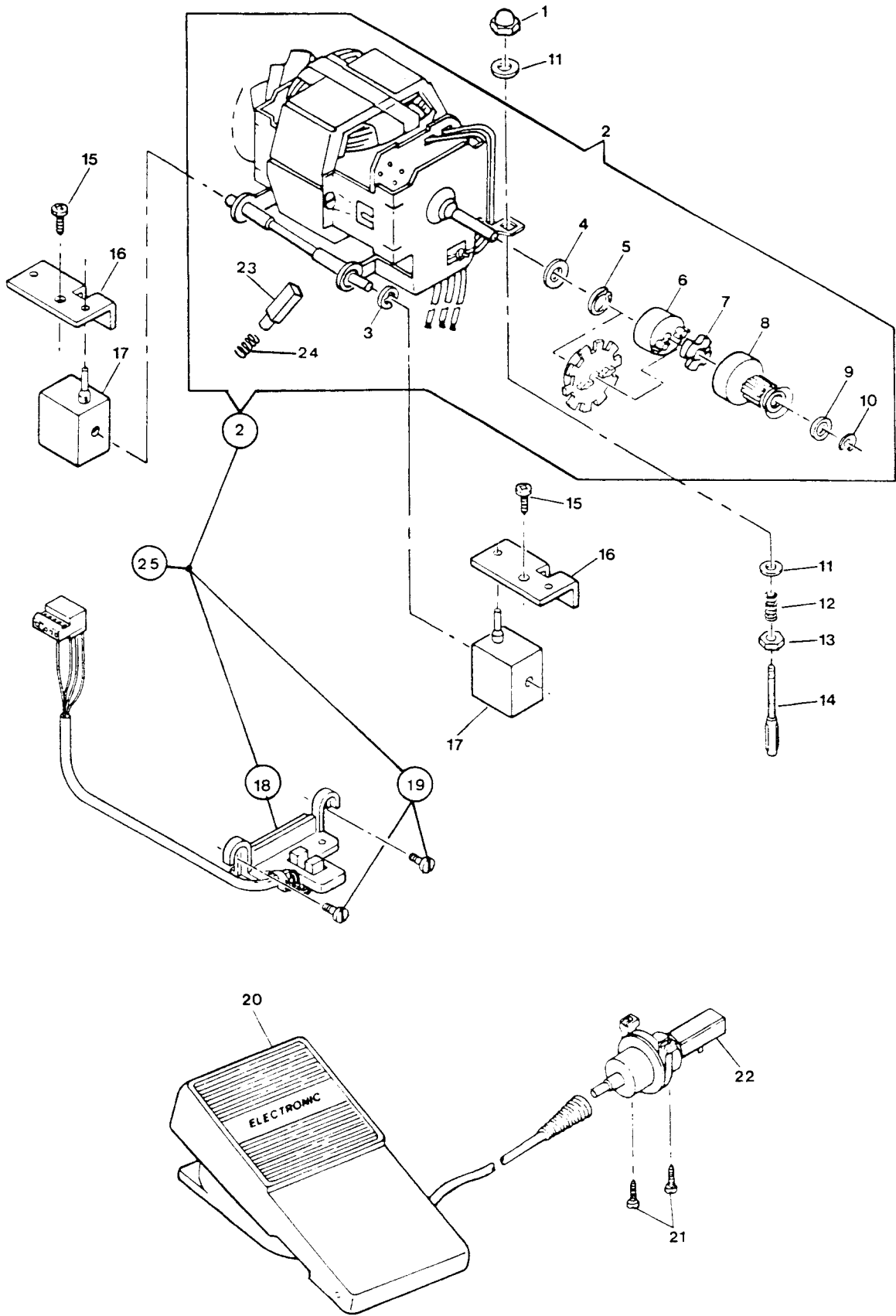


# SPEED CONTROL/MOTOR CONTROL P.C. BOARD ASSEMBLY



From the library of: Diamond Needle Corp

# ELECTRICAL EQUIPMENT

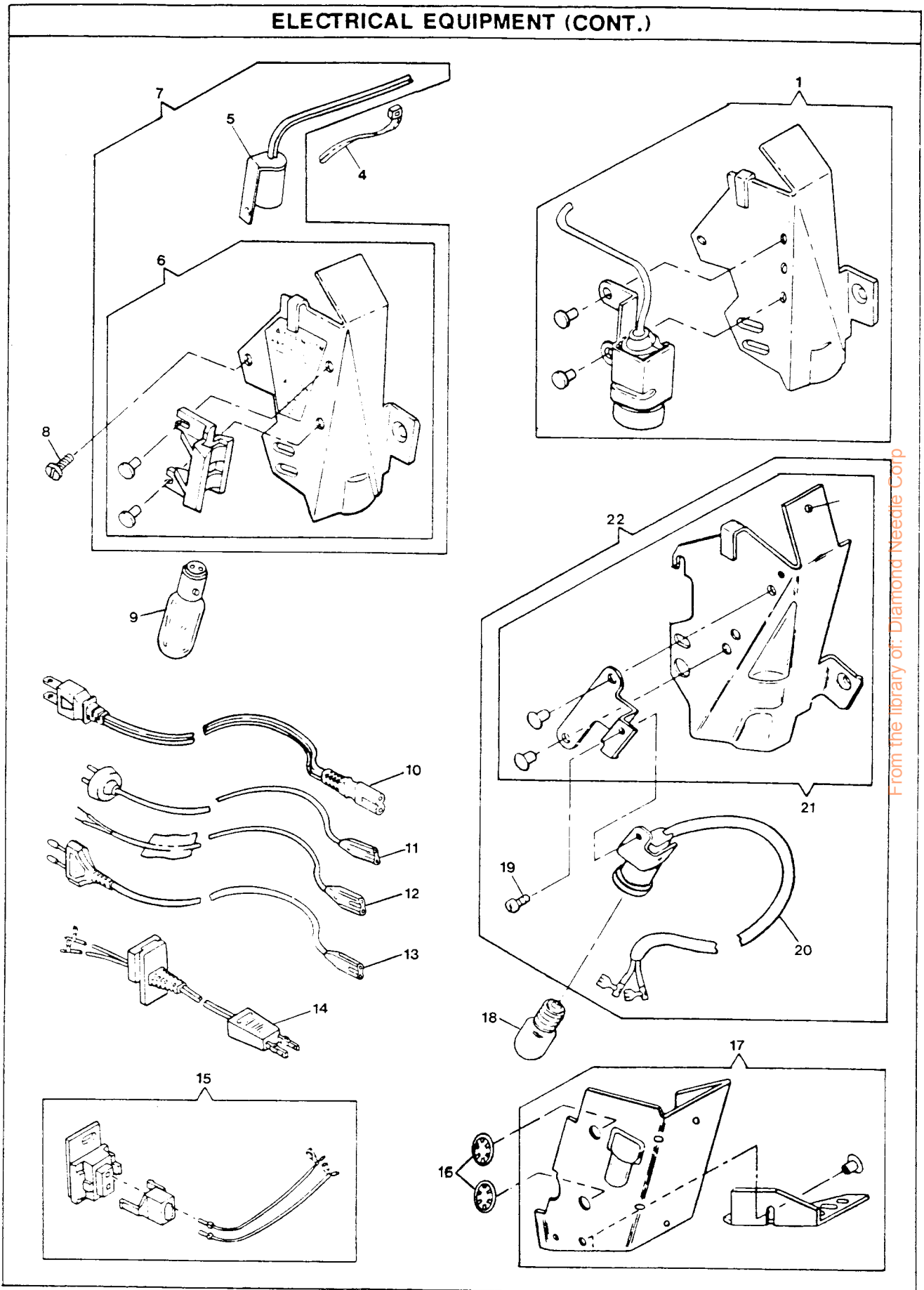


From the library of: Diamond Needle Corp





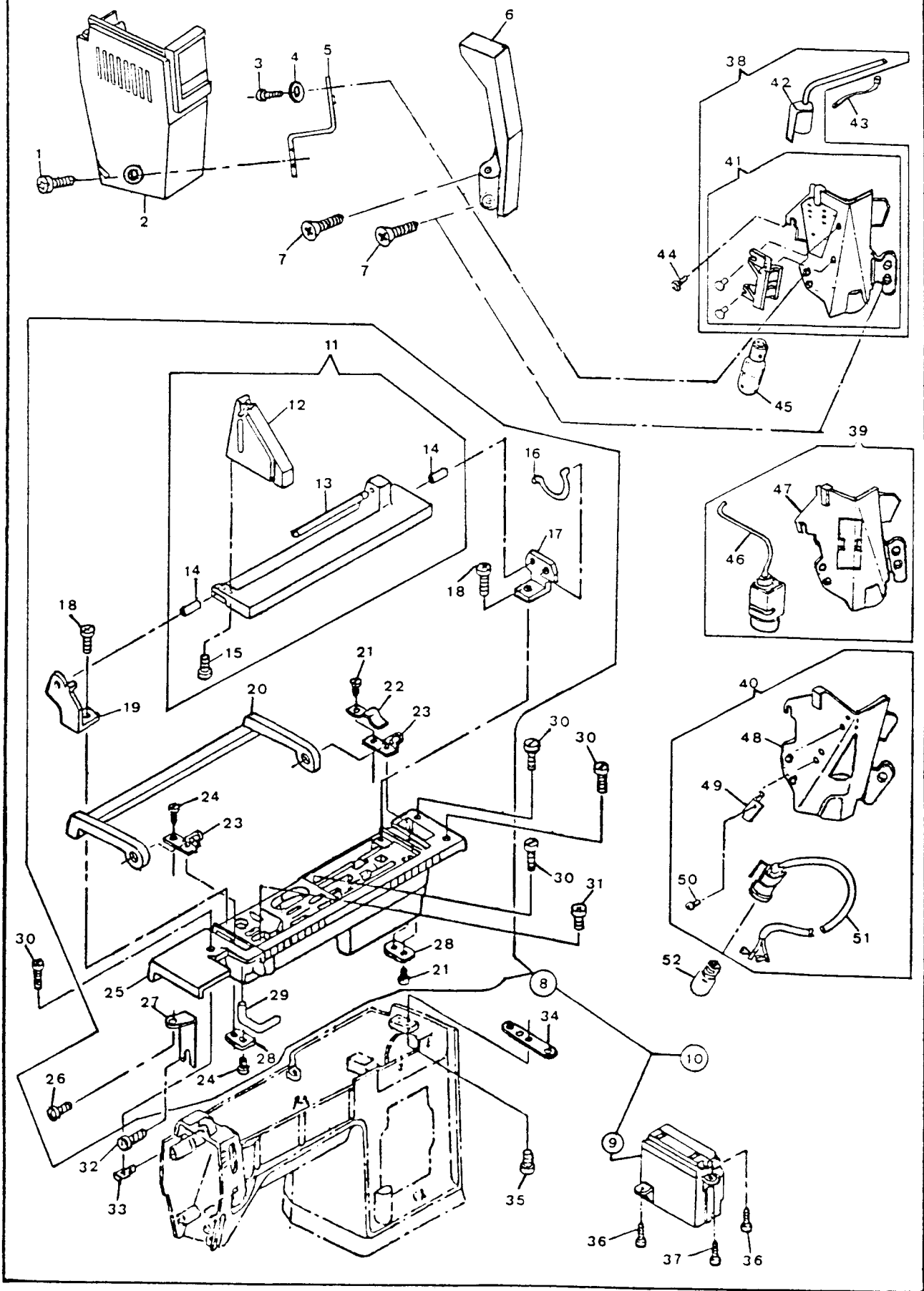
# ELECTRICAL EQUIPMENT (CONT.)



From the library of: Diamond Needle Corp



NEW COVERS AND LIGHT ASSEMBLY  
IN PRODUCTION FROM SEPTEMBER 1987



From the library of: Diamond Needle Corp



NEW COVERS AND LIGHT ASSEMBLY IN PRODUCTION FROM SEPTEMBER 1987			6 6
			2 2
REF	P/N	DESCRIPTION	6 6
			7 8
1	354133-452	Face plate mounting screw	X X
2	314413-001	Face plate assembly complete (USA/CANADA)	X X
2	314413-002	Face plate assembly complete (INTERNATIONAL)	X X
2	314413-003	Face plate assembly complete (EUROPE)	X
2	314413-004	Face plate assembly complete (EUROPE)	X
3	544211-002	Lint & Heat Shield mounting screw	X X
4	446138	Lint & Heat Shield mounting screw washer	X X
5	314263	Face plate mounting bracket	X X
6	314480	Thread take-up cover assembly	X X
7	113470-003	Thread take-up cover mounting screw	X X
8	314416-451	Arm top cover assembly	X
9	313532-451	Patter module receptacle assembly	X
10	314417-451	Arm top cover assembly	X
11	314398-001	Arm top cover lid assembly	X
11	314398-002	Arm top cover lid assembly	X
12	313563-451	Arm top cover lid thread guide assembly	X X
13	312940-451	Spool pin (Horizontal)	X X
14	314478	Arm top cover lid Hinge pin	X X
15	113364-451	Arm top cover lid thread guide screw	X X
16	313435	Arm top cover lid hinge spring	X X
17	313213	Arm top cover lid hinge (right)	X X
18	113445-006	Arm top cover lid hing mounting screw (left & right)	X X
19	314401	Arm top cover lid hinge (left)	X X
20	314384-451	Arm top cover machine handle	X X
21	113520-451	Arm top cover machine handle hinge bracket screw (right)	X X
22	314485	Arm top cover machine handle retaining spring (right)	X X
23	314386	Arm top cover machine handle hinge bracket (left & right)	X X
24	113519-451	Arm top cover machine handle hinge bracket screw (left)	X X
25	314394-451	Arm top cover (W/GRAPHICS)	X
25	314395-451	Arm top cover (W/GRAPHICS)	X
26	113442-002	Arm top cover support bracket screw	X X
27	314337	Arm top cover support bracket	X X
28	314560	Arm top cover machine handle nut plate (left & right)	X X
29	314399-900	Arm top cover thread weat bar	X X
30	354927-002	Arm top cover mounting screw (Right(2)/Center/Left)	X X
31	113445-016	Arm top cover screw (left)	X X
32	514675-452	Arm top cover support bracket	X X
33	314511	Arm top cover mounting stud (left)	X X
34	314402	Arm top cover mounting plate (right)	X X
35	544212-005	Arm top cover mounting plate mounting screw (right)	X X
36	113442-003	Pattern module sleeve mounting screw	X
37	113442-002	Pattern module sleeve mounting screw	X
38	979248-001	Lint & heat shield assembly w/light & harness (USA/CANADA)	X X
39	979249-001	Lint & heat shield assembly W/light & harness (EUROPE/U.K.)	X X
39	979249-002	Lint & heat shield assembly W/light & harness (AUSTRALIA)	X X
40	979250-001	Lint & heat shield assembly W/light & harness (JAPAN)	X X
41	314596-003	Lint & heat shield assembly (USA/CANADA)	X X
42	988728-004	Lamp socket (120 V.)(U.S./CANADA)	X X
43	605600-001	Self-locking Ty-Rap	X X
44	544211-002	Lint & heat shield mounting screw (TOP)	X X
45	194120-019	Light bulb (120 V.)	X X
45	194120-020	Light bulb (220 V.)	X X
45	194120-021	Light bulb (240 V.)	X X
46	979203-005	Light assembly (EUROPE/U.K.)	X X
46	979203-006	Light assembly (AUSTRALIA)	X X
47	314596-001	Lint & heat shield assembly (EUROPE/U.K./Australia)	X X
48	314264-900	Lint & heat shield (JAPAN)	X X
49	314277-451	Light mounting spacer (JAPAN)	X X
50	544187	Lamp socket mounting screw	X X
51	979164-006	Lamp socket (100 V.) complete (JAPAN)	X X
52	549887-003	Light bulb (100 V.)(screw base/JAPAN)	X X